



STAINLESS STEEL GLOBE VALVE

FLANGED END

Model: KVS - 610



SPECIFICATION

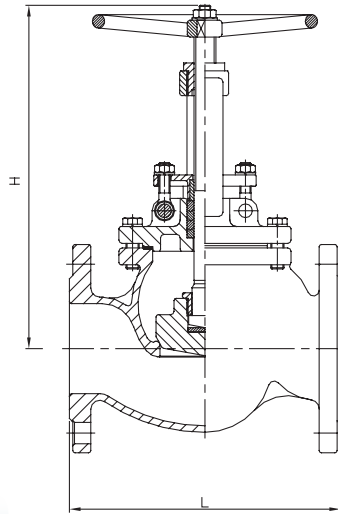
- Pressure Rating: PN16, 10/20 Bar, CLASS 150/300
- Working Medium: Water, Oil, Steam, Chemical, Air
- Working Temperature: -20 ~ 200 °C
- Rising Stem
- Investment casting
- Flanged connection: BS4504, JIS, ANSI standard



STAINLESS STEEL GLOBE VALVE

FLANGED END

Model: KVS - 610



MATERIALS

Description	Material
Body	Stainless Steel CF8, CF8M
Disc	
Disc Cover	
Stem	AISI 316
Seal	PTFE/304 + GRAPHITE
Bonnet	ASTM A351-CF8M/1.4408
Packing	PTFE
Handwheel	FCD 400

DIMENSIONS (mm)

DN		CLASS 150		CLASS 300		PN16	
inches	MM	L	H	L	H	L	H
1/2"	15	108	178	152	186	130	178
3/4"	20	117	181	178	186	150	181
1"	25	127	200	203	187	160	200
1 1/4"	32	140	243	220	210	180	243
1 1/2"	40	165	245	229	236	200	245
2"	50	203	258	267	289	230	258
2 1/2"	65	216	310	292	297	290	310
3"	80	241	325	318	343	310	325
4"	100	292	390	356	398	350	390
5"	125	256	472	400	487	400	472
6"	150	406	531	445	558	480	531
8"	200	495	669	559	665	600	669
10"	250	622	824	622	800	730	824
12"	300	698	950	-	-	850	950